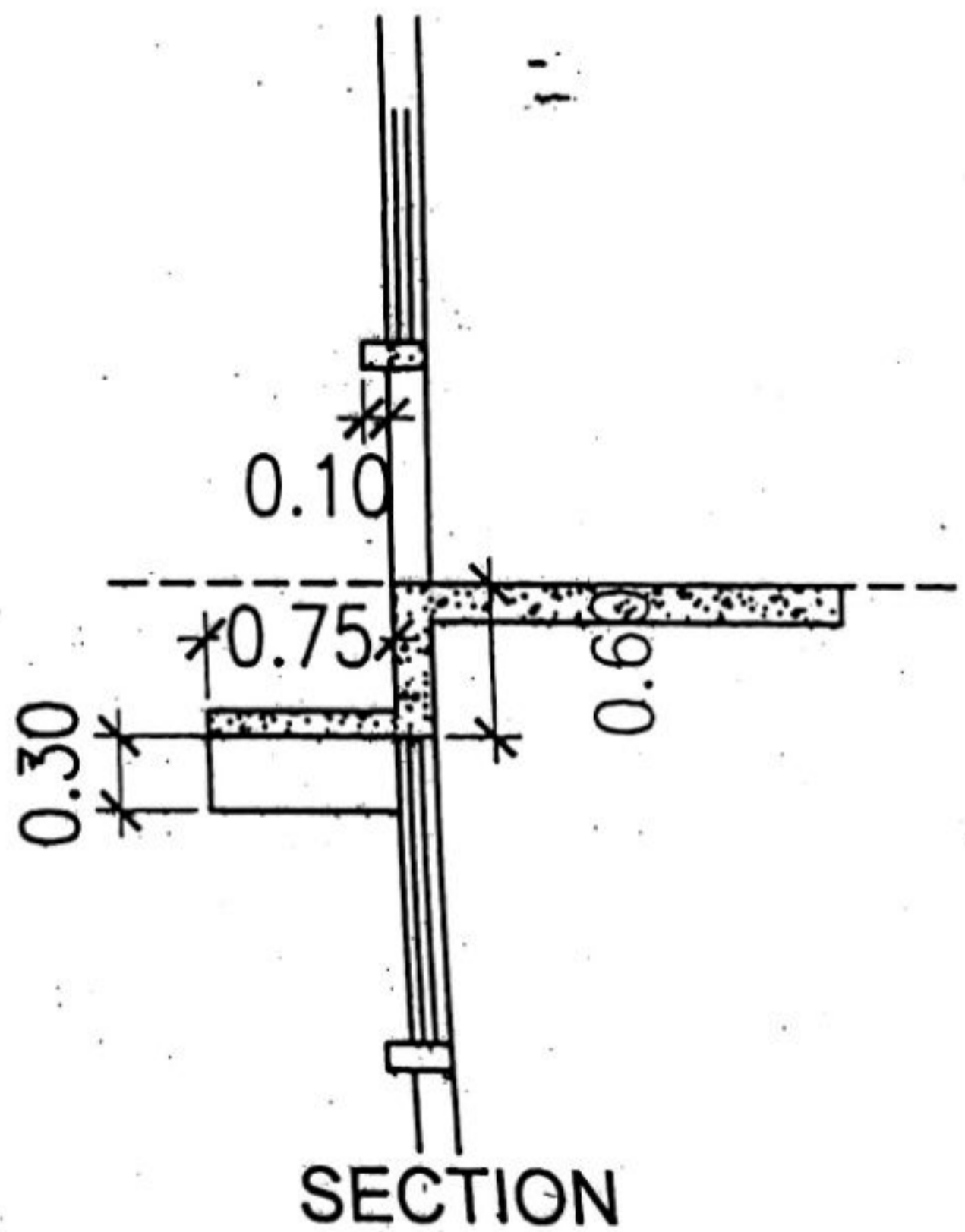
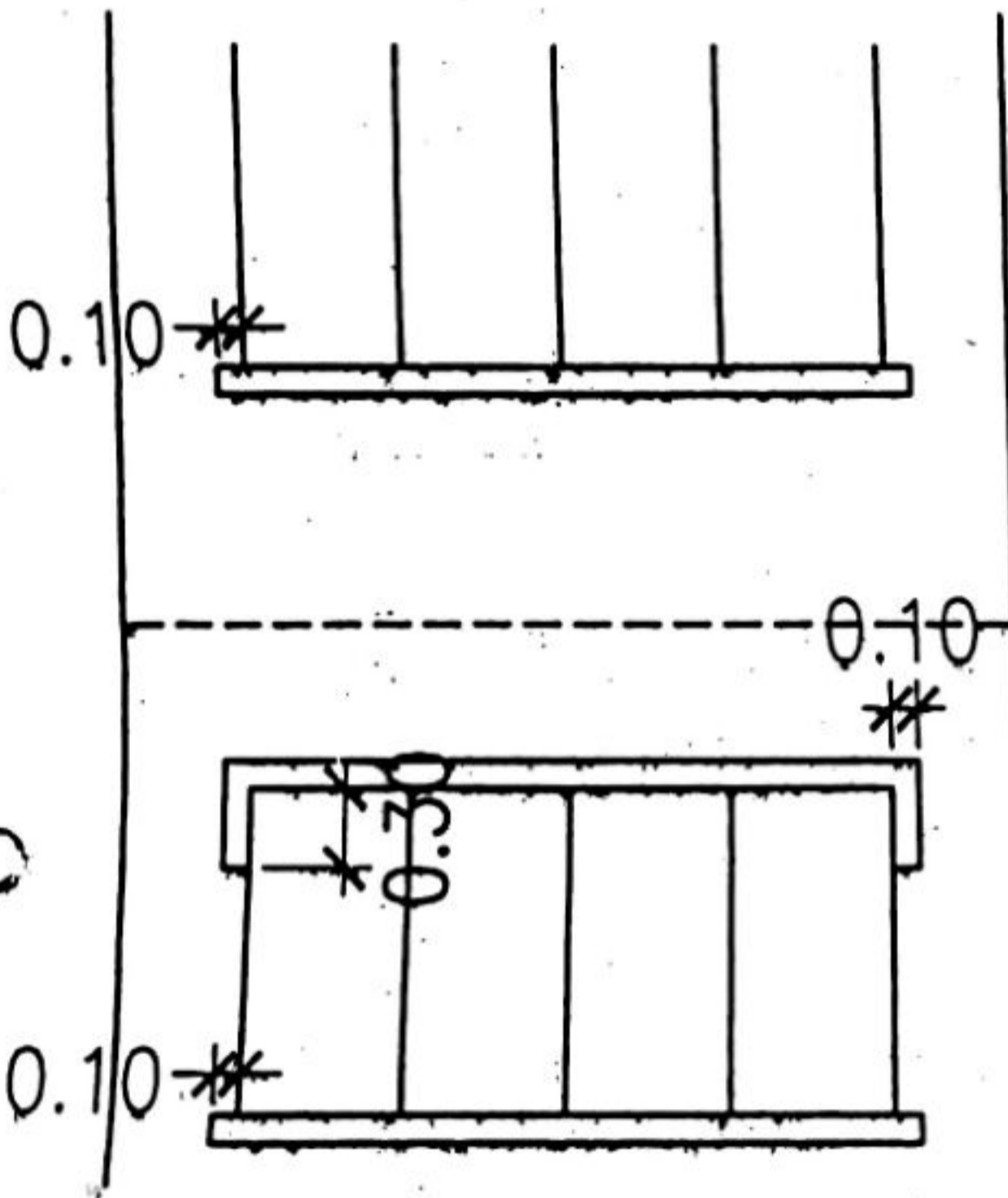
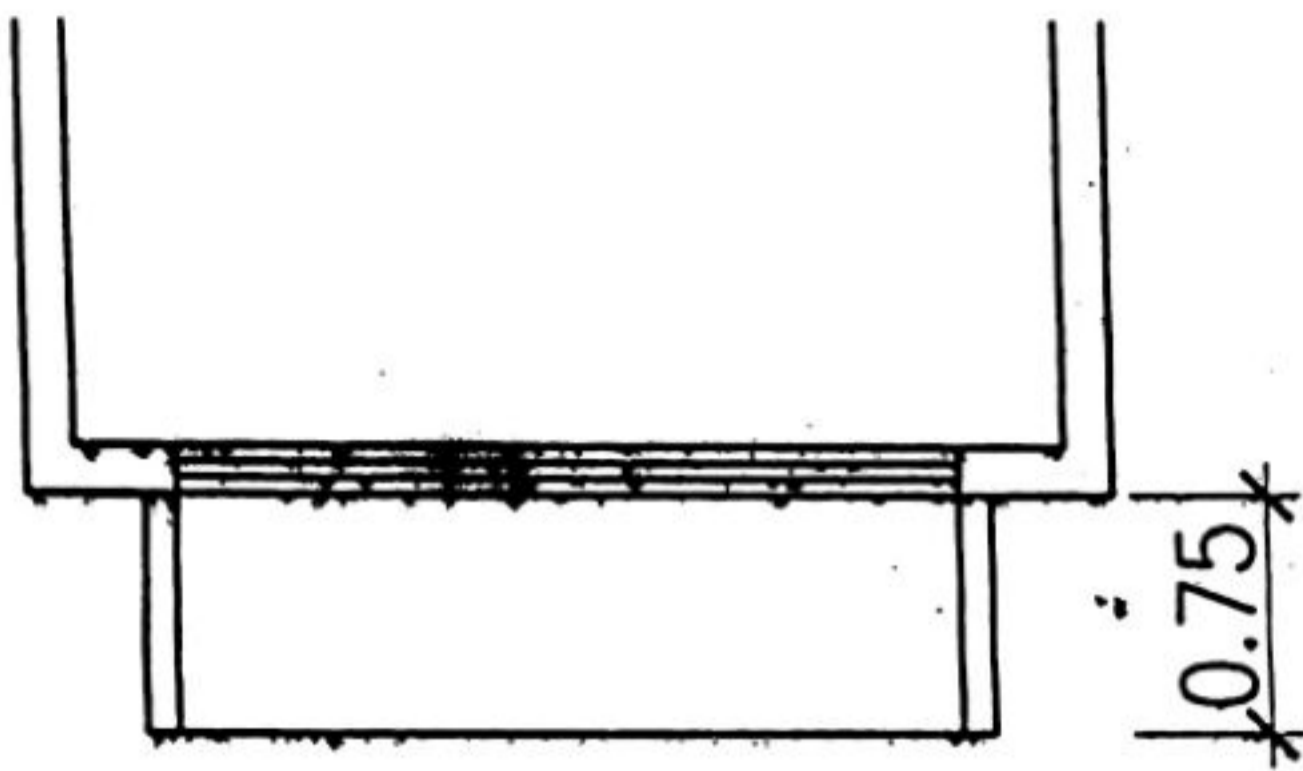


SKETCH NO. 1

DROP CHAJJA



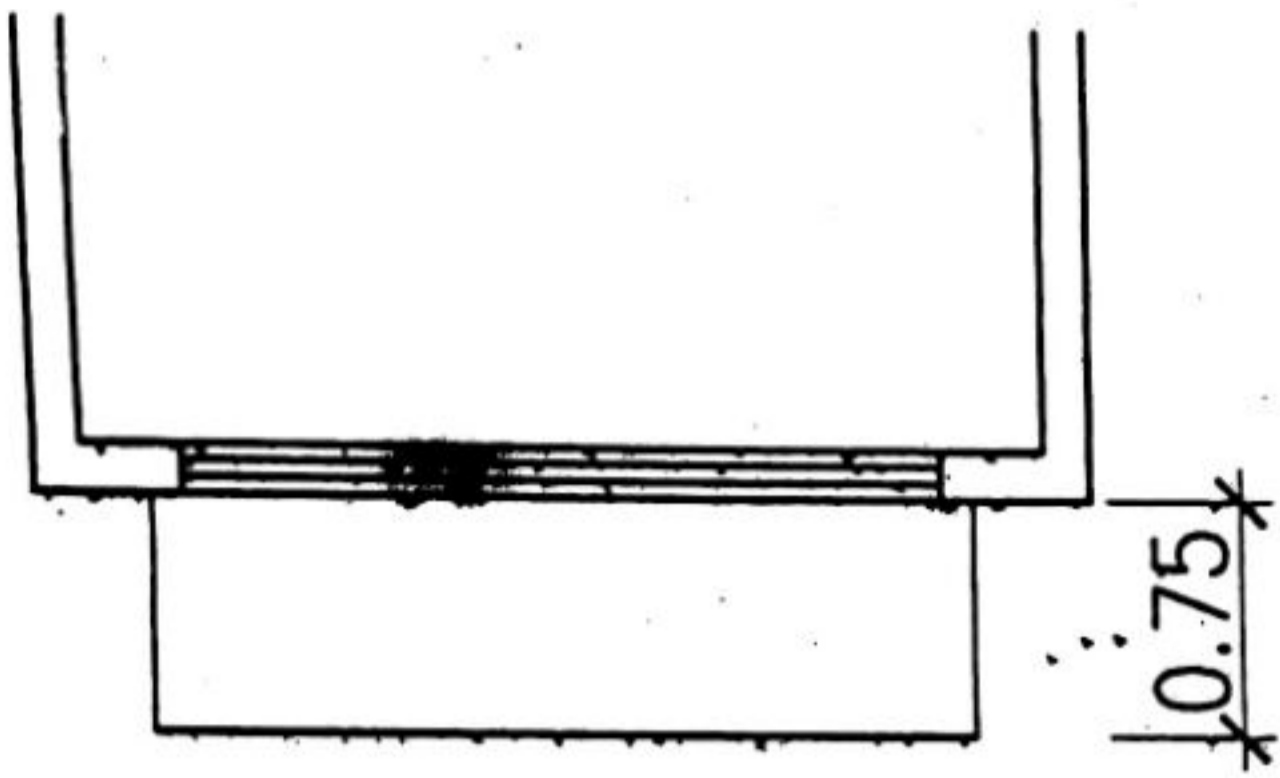
SKETCHES OF ELEVATIONAL PROJECTION

*D.F.*  
Ch. Eng. D.F.

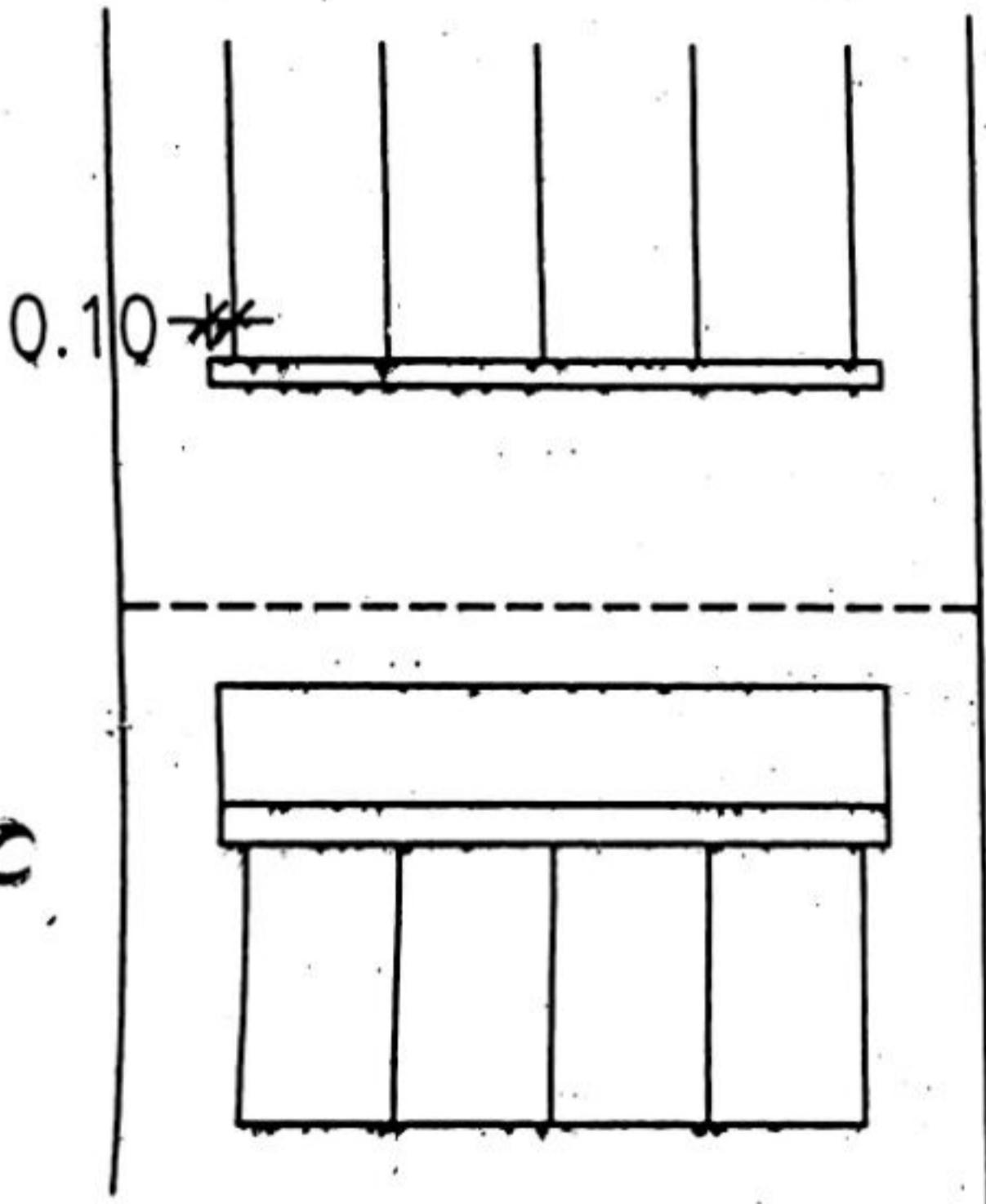
*D.F.*  
01/03/16

# SKETCH NO. 2

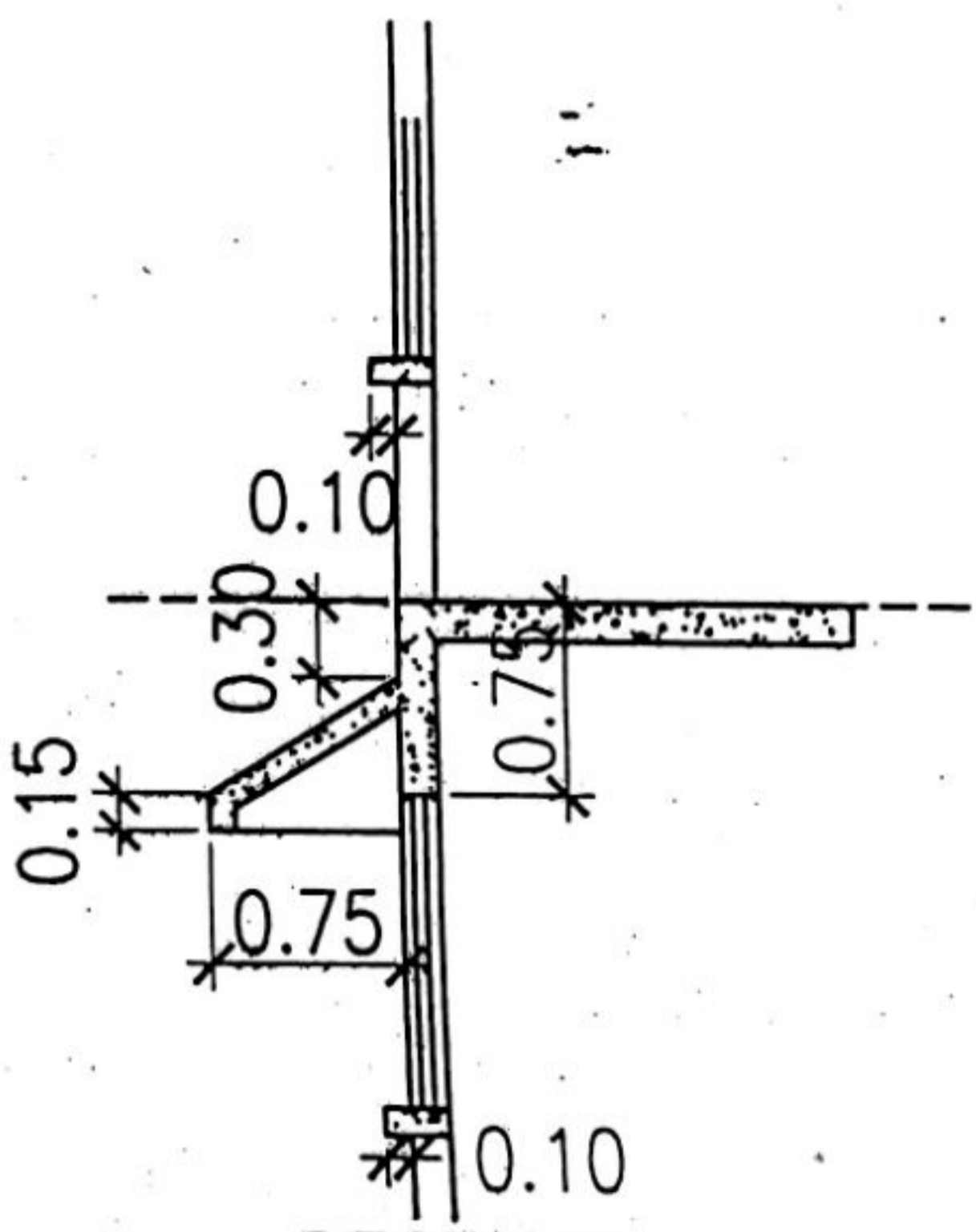
TO ALLOW SLANT CHAJJAS



PLAN



ELEVATION



SECTION

## SKETCHES OF ELEVATIONAL PROJECTION

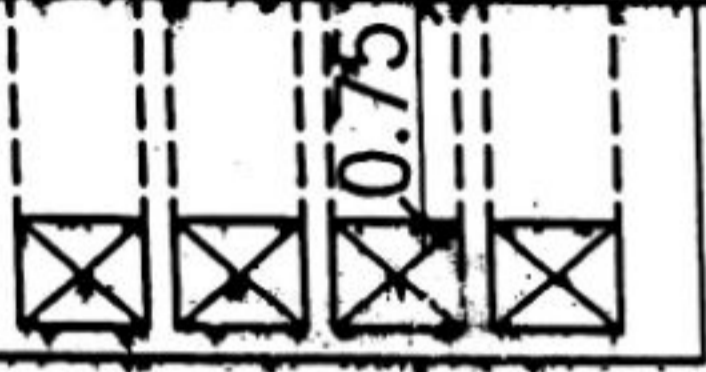
*[Signature]*  
Ch. Eng. D.P.

*[Signature]*  
01/03/16

87

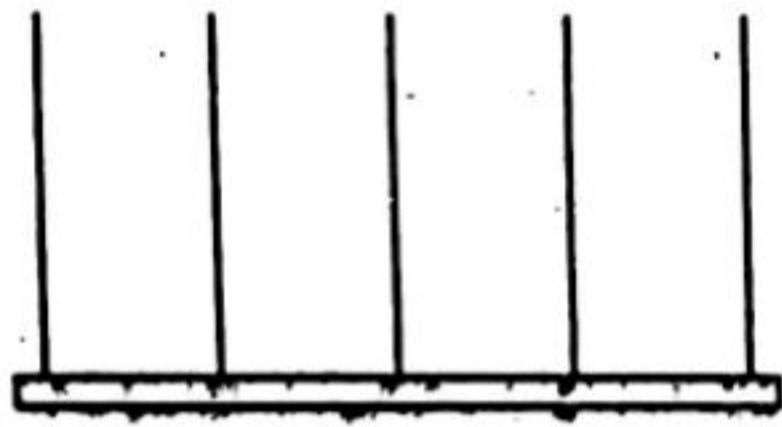
# SKETCH NO.3

TO ALLOW DROP CHAJJA WITH  
CUTOUT IN BETWEEN UPTO 1.20M



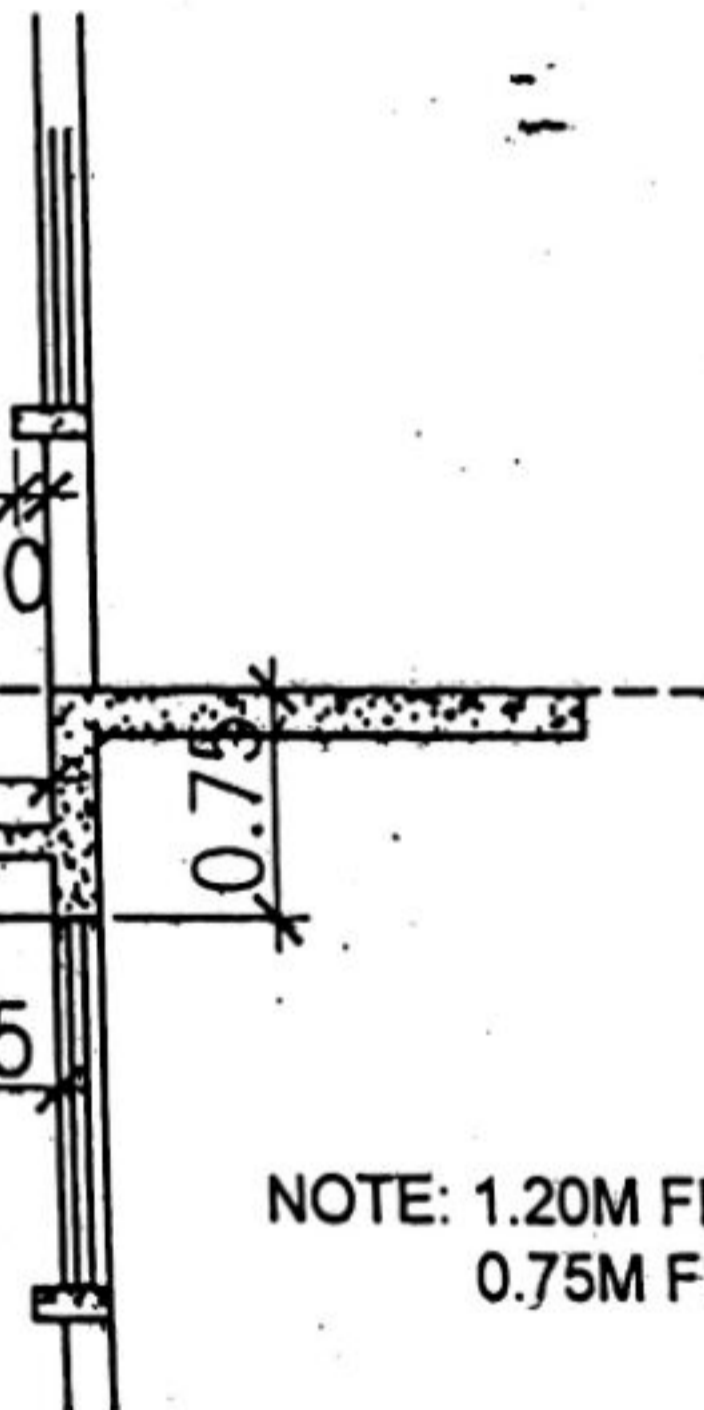
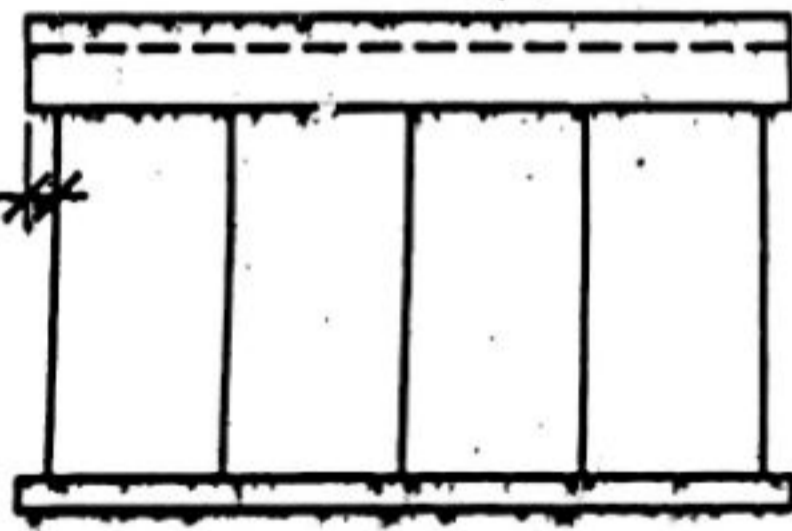
PLAN

1.20



ELEVATION

0.30  
0.10



SECTION

NOTE: 1.20M FROM BLDG. LINE  
0.75M FROM BALCONY

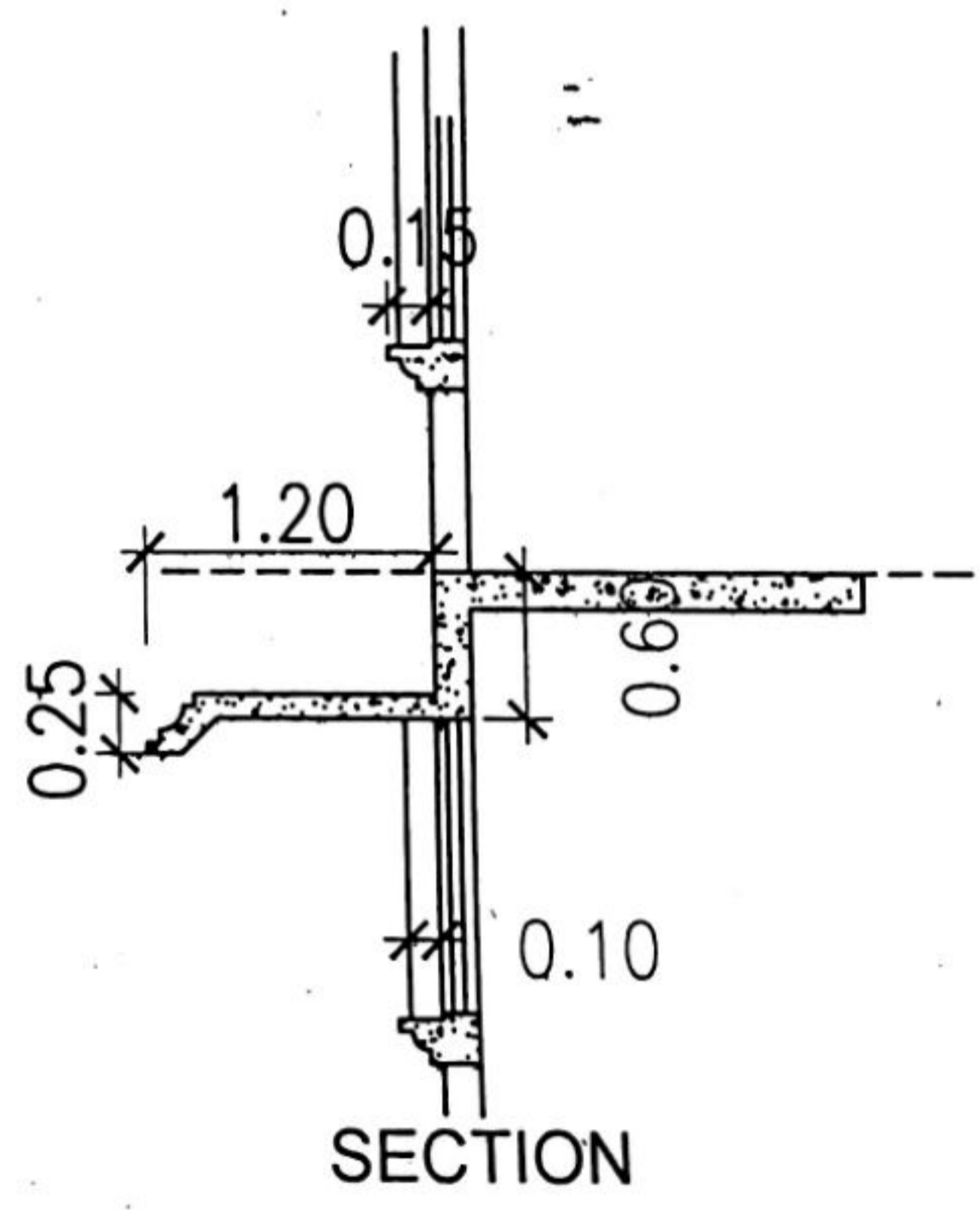
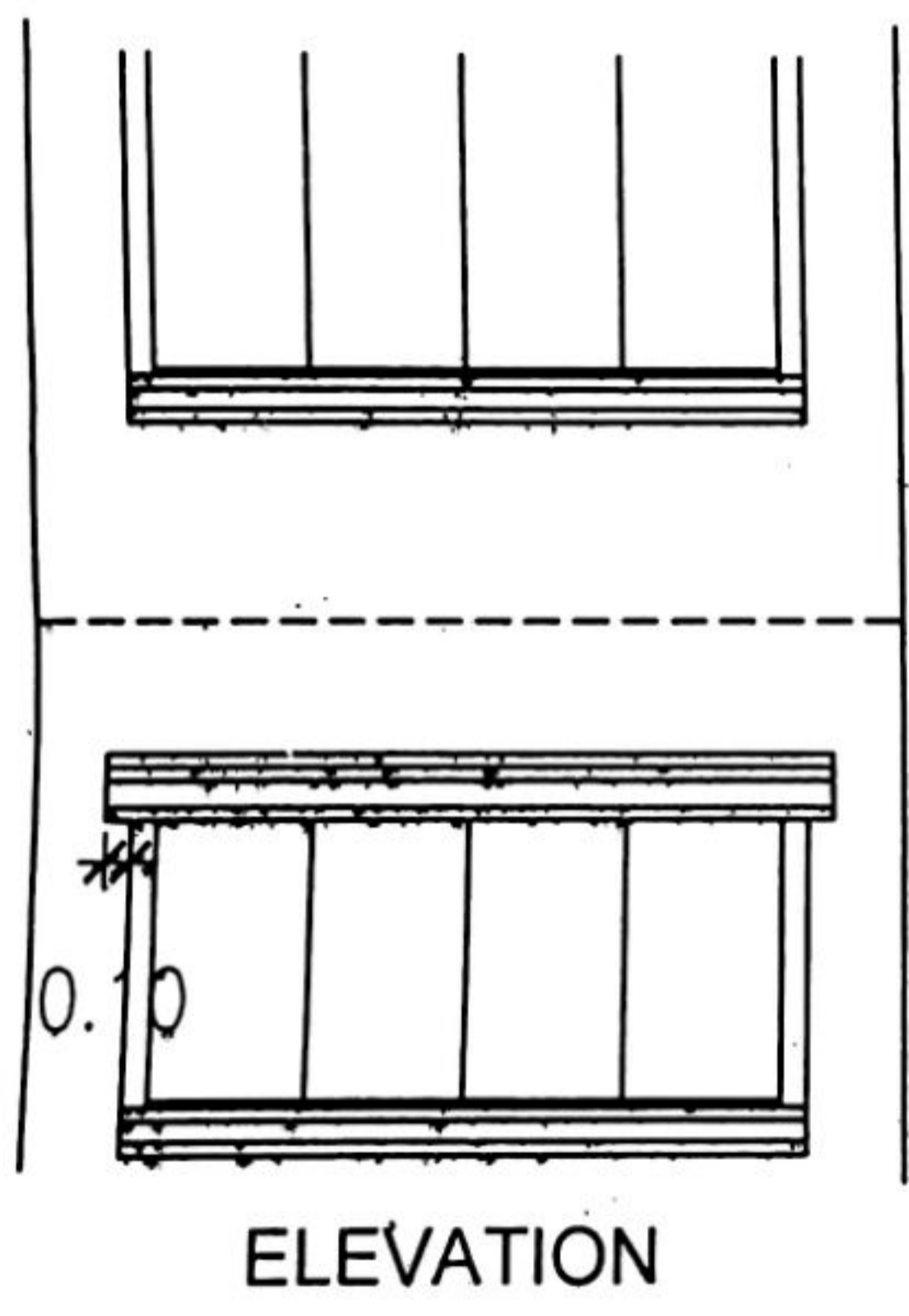
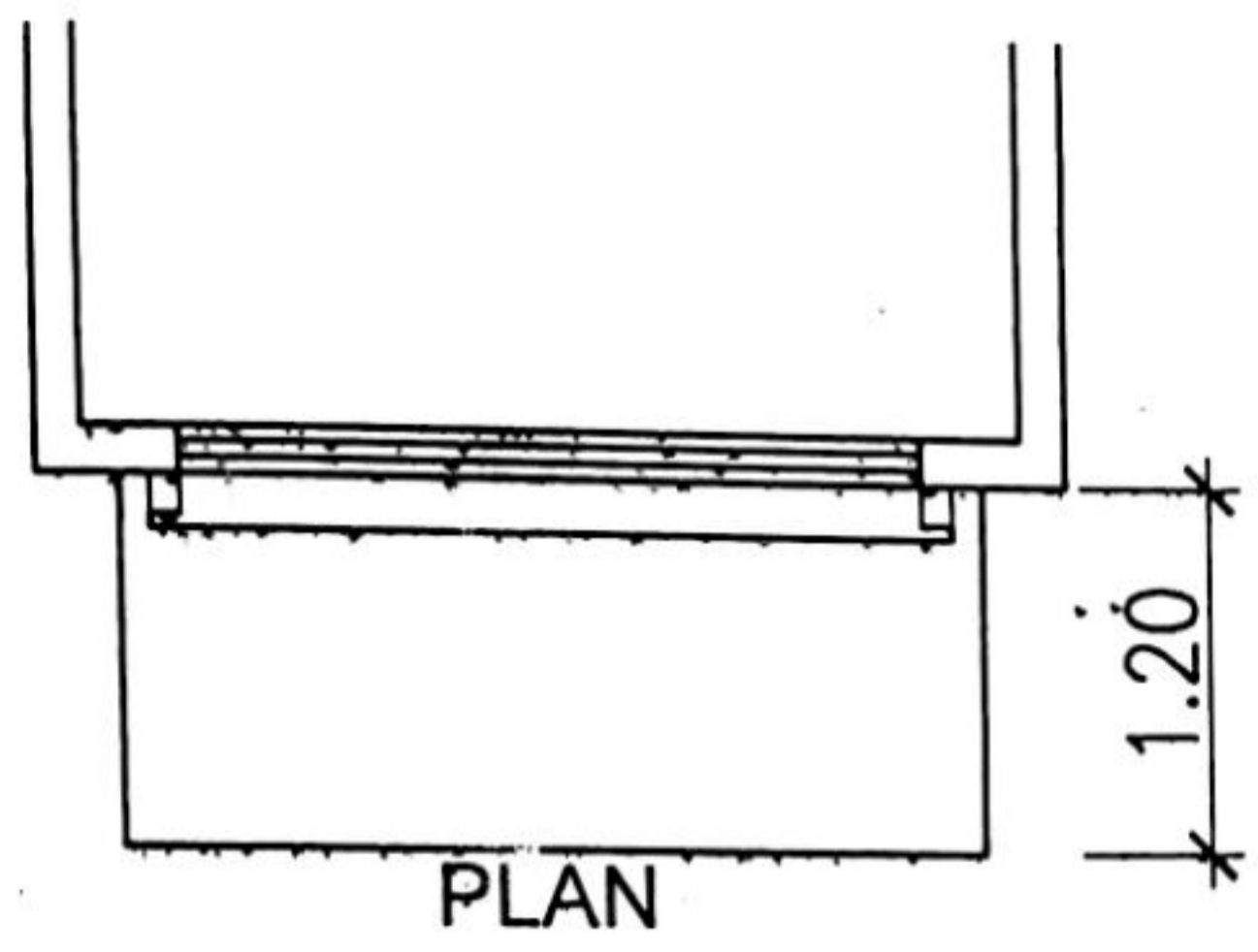
SKETCHES OF ELEVATIONAL PROJECTION

Ch. Eng. D.F.

01/03/16

# SKETCH NO.4

TO ALLOW CORNICES  
AT EDGE OF CHAJJAS



SKETCHES OF ELEVATIONAL PROJECTION

*Pratik*  
Ch. Eng. D.P.  
*Pratik*  
01/05/16